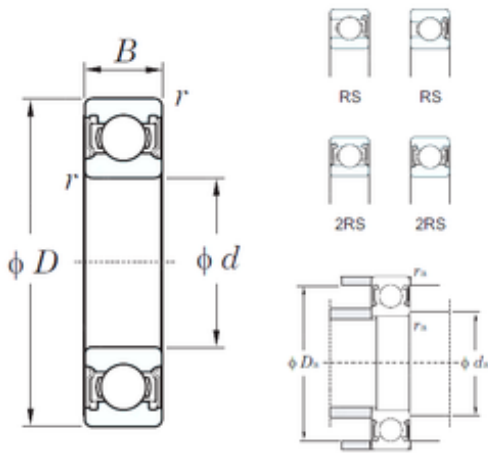




# KRS Guide Wheel Bearing Co., Ltd



## 85 mm x 130 mm x 22 mm KOYO 6017-2RS deep groove ball bearings

Bearing No. 6017-2RS

Size	85x130x22 mm
Bore Diameter	85 mm
Outer Diameter	130 mm
Width	22 mm
d	85 mm
D	130 mm
B	22 mm
C	22 mm
r min.	1,1 mm
da min.	91,5 mm
da max	96,5 mm
Da max.	123,5 mm
ra max.	1 mm
Weight	0,89 Kg
Basic dynamic load rating (C)	49,5 kN
Basic static load rating (C0)	43,1 kN
(Grease) Lubrication Speed	2900 r/min

6017-2RS Bearing 2D drawings and 3D CAD models