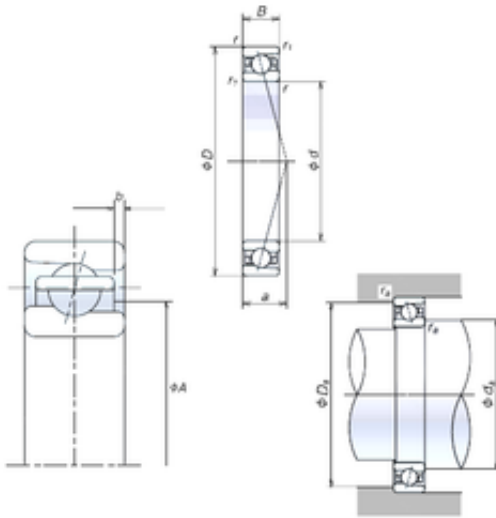




KRS Guide Wheel Bearing Co., Ltd

85 mm x 130 mm x 22 mm NSK 85BER10S angular contact ball bearings

Bearing No. 85BER10S



85BER10S Bearing 2D drawings and 3D CAD models

Size	85x130x22 mm
Bore Diameter	85 mm
Outer Diameter	130 mm
Width	22 mm
d	85 mm
D	130 mm
B	22 mm
C	22 mm
Angle (°)	25 °
a	36,1 mm
b	1,7 mm
r min.	1,1 mm
r1 min.	0,6 mm
A	102 mm
da min.	92 mm
Da max.	123 mm
ra max.	1 mm
Weight	0,962 Kg
Basic dynamic load rating (C)	25,6 kN
Basic static load rating (C0)	24,6 kN
(Grease) Lubrication Speed	11200 r/min