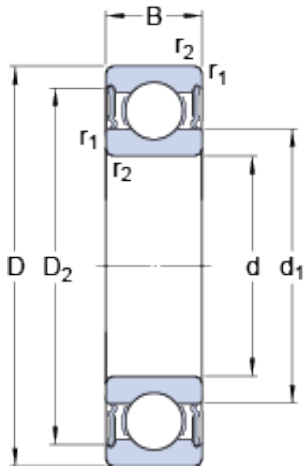




# KRS Guide Wheel Bearing Co., Ltd



50 mm x 72 mm x 12 mm SKF 61910-2RS1 deep groove ball bearings

Bearing No. 61910-2RS1

61910-2RS1 Bearing 2D drawings and 3D CAD models

Size	72x50x12 mm
Bore Diameter	72 mm
Outer Diameter	50 mm
Width	12 mm
d	50 mm
D	72 mm
B	12 mm
d <sub>1</sub>	56.9 mm
D <sub>2</sub>	67.3 mm
r <sub>1,2</sub> - min.	0.6 mm
d <sub>a</sub> - min.	53.2 mm
d <sub>a</sub> - max.	56.8 mm
D <sub>a</sub> - max.	68.8 mm
r <sub>a</sub> - max.	0.6 mm
Basic dynamic load rating - C	14.6 kN
Basic static load rating - C <sub>0</sub>	11.8 kN
Fatigue load limit - P <sub>u</sub>	0.5 kN
Limiting speed	5600 r/min
Calculation factor - k <sub>r</sub>	0.02
Calculation factor - f <sub>0</sub>	16.1
Category	Single Row Ball Bearings
Inventory	3.0
Manufacturer Name	SKF
Minimum Buy Quantity	N/A



## KRS Guide Wheel Bearing Co., Ltd

Weight / Kilogram	0.145
Product Group	B00308
Enclosure	2 Seals
Precision Class	ABEC 1   ISO P0
Maximum Capacity / Filling Slot	No
Rolling Element	Ball Bearing
Snap Ring	No
Internal Special Features	No
Cage Material	Steel
Enclosure Type	Contact Seal
Internal Clearance	C0-Medium
Inch - Metric	Metric
Long Description	50MM Bore; 72MM Outside Diameter; 12MM Outer Race Diameter; 2 Seals; Ball Bearing; ABEC 1   ISO P0; No Filling Slot; No Snap Ring; No Internal Special Features
Category	Single Row Ball Bearing
UNSPSC	31171504
Harmonized Tariff Code	8482.10.50.68
Noun	Bearing
Keyword String	Ball
Manufacturer URL	<a href="http://www.skf.com">http://www.skf.com</a>
Manufacturer Item Number	61910 2RS1
Weight / LBS	0.32
Bore	1.969 Inch   50 Millimeter
Outside Diameter	2.835 Inch   72 Millimeter
Outer Race Width	0.472 Inch   12 Millimeter
bore diameter:	50 mm
static load capacity:	11.8 kN
outside diameter:	72 mm



## KRS Guide Wheel Bearing Co., Ltd

precision rating:	Not Rated
overall width:	12 mm
finish/coating:	Uncoated
bore type:	Round
cage material:	Steel
closure type:	Double Sealed
outer ring width:	12 mm
row type & fill slot:	Single Row Non-Fill Slot
fillet radius:	0.6 mm
internal clearance:	C0
maximum rpm:	5600 RPM
operating temperature range:	-40 to +210 ° F
series:	61
dynamic load capacity:	14.6 kN
$d_1$	56.8 mm
$D_2$	67.3 mm
$r_{1,2}$ min.	0.6 mm
$d_a$ min.	53.2 mm
$d_a$ max.	56.8 mm
$D_a$ max.	68.8 mm
$r_a$ max.	0.6 mm
Basic dynamic load rating C	14.6 kN
Basic static load rating $C_0$	11.8 kN
Fatigue load limit $P_u$	0.5 kN
Calculation factor $k_r$	0.02
Calculation factor $f_0$	16.1
Mass bearing	0.14 kg