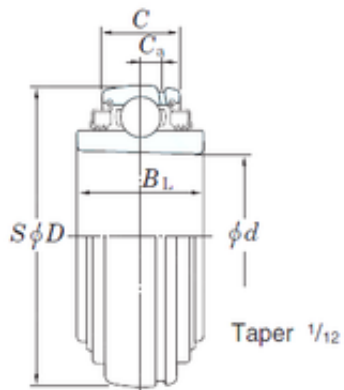




KRS Guide Wheel Bearing Co., Ltd

50 mm x 110 mm x 40 mm KOYO UK310L3
deep groove ball bearings



Bearing No. UK310L3

Size	50x110x40 mm
Bore Diameter	50 mm
Outer Diameter	110 mm
Width	40 mm
d	50 mm
D	110 mm
B	40 mm
C	32 mm
C	9 mm
Weight	1,38 Kg
Basic dynamic load rating (C)	62 kN
Basic static load rating (C0)	38,3 kN

UK310L3 Bearing 2D drawings and 3D CAD models