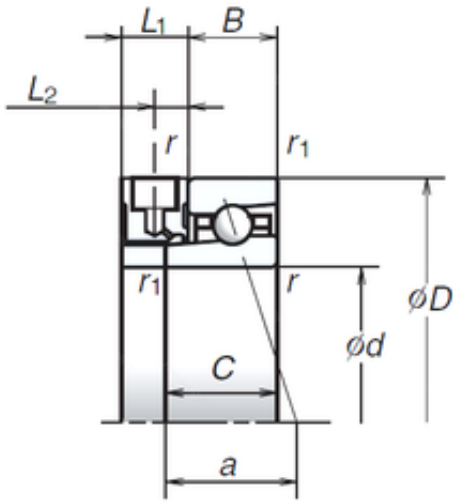




KRS Guide Wheel Bearing Co., Ltd



40 mm x 62 mm x 12 mm NSK 40BER19XE
angular contact ball bearings

Bearing No. 40BER19XE

Size	40x62x12 mm
Bore Diameter	40 mm
Outer Diameter	62 mm
Width	12 mm
d	40 mm
D	62 mm
B	12 mm
C	17 mm
L2	7,5 mm
Angle ()	25 °
a	22,9 mm
r min.	0,6 mm
r1 min.	0,3 mm
L1	15 mm
Weight	0,106 Kg
Basic dynamic load rating (C)	11 kN
Basic static load rating (C0)	7,35 kN
(Grease) Lubrication Speed	58 900 r/min

40BER19XE Bearing 2D drawings and 3D CAD models