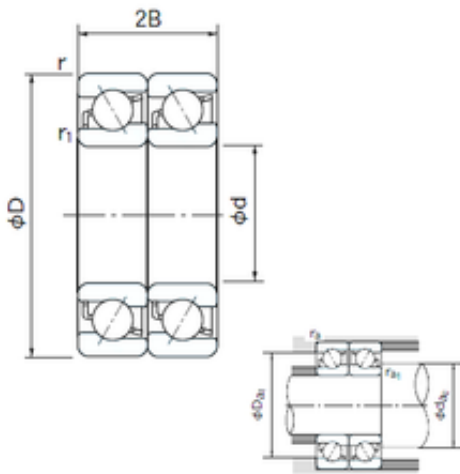




KRS Guide Wheel Bearing Co., Ltd



25 mm x 62 mm x 17 mm NACHI 7305DT angular contact ball bearings

Bearing No. 7305DT

7305DT Bearing 2D drawings and 3D CAD models

Size	25x62x17 mm
Bore Diameter	25 mm
Outer Diameter	62 mm
Width	17 mm
d	25 mm
D	62 mm
B	17 mm
C	17 mm
Angle (°)	30 °
a	4.1 mm
r min.	1.1 mm
r1 min.	0.6 mm
2B	34 mm
da min.	30 mm
Da max.	57 mm
ra max.	0.6 mm
Weight	0.245 Kg
Basic dynamic load rating (C)	43 kN
Basic static load rating (C0)	31,5 kN
(Grease) Lubrication Speed	8500 r/min
Bore Type	Cylindrical Bore
Enclosure	Open
Configuration	Duplex
Bore Size	25 mm
Outside Diameter	62 mm



KRS Guide Wheel Bearing Co., Ltd

Width	17 mm
Fillet Radius/Chamfer	1.1 mm
r1	0.6 mm
Dynamic Load Rating	43,000 N
Static Load Rating	31,500 N
Limiting Speed - Grease	8,500 rpm
Limiting Speed - Oil	11,000 rpm
da1 (min)	32 mm
da2 (min)	30 mm
Da1 (max)	55 mm
Da2 (max)	57 mm
ra (max)	1 mm
ra1 (max)	0.6 mm