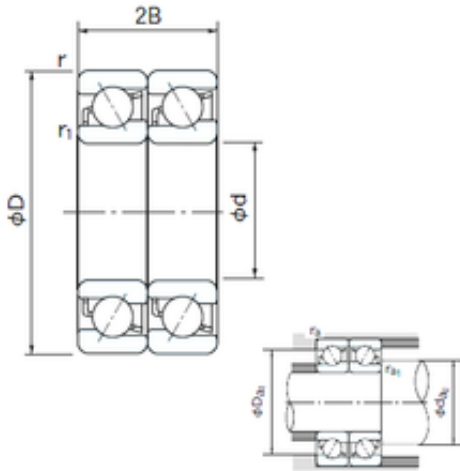




KRS Guide Wheel Bearing Co., Ltd



25 mm x 62 mm x 17 mm NACHI 7305BDT
angular contact ball bearings

Bearing No. 7305BDT

7305BDT Bearing 2D drawings and 3D CAD models

Size	25x62x17 mm
Bore Diameter	25 mm
Outer Diameter	62 mm
Width	17 mm
d	25 mm
D	62 mm
B	17 mm
C	17 mm
Angle (°)	40 °
a	9.8 mm
r min.	1.1 mm
r1 min.	0.6 mm
2B	34 mm
da min.	30 mm
Da max.	57 mm
ra max.	0.6 mm
Weight	0.245 Kg
Basic dynamic load rating (C)	40,5 kN
Basic static load rating (C0)	30 kN
(Grease) Lubrication Speed	7300 r/min
Bore Type	Cylindrical Bore
Enclosure	Open
Configuration	Duplex
Bore Size	25 mm
Outside Diameter	62 mm



KRS Guide Wheel Bearing Co., Ltd

Width	17 mm
Fillet Radius/Chamfer	1.1 mm
r1	0.6 mm
Dynamic Load Rating	40,500 N
Static Load Rating	30,000 N
Limiting Speed - Grease	7,300 rpm
Limiting Speed - Oil	10,000 rpm
da1 (min)	32 mm
da2 (min)	30 mm
Da1 (max)	55 mm
Da2 (max)	57 mm
ra (max)	1 mm
ra1 (max)	0.6 mm