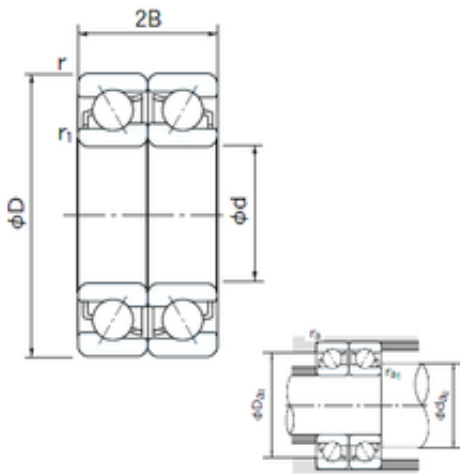




KRS Guide Wheel Bearing Co., Ltd



25 mm x 52 mm x 15 mm NACHI 7205BDF
angular contact ball bearings

Bearing No. 7205BDF

7205BDF Bearing 2D drawings and 3D CAD models

Size	25x52x15 mm
Bore Diameter	25 mm
Outer Diameter	52 mm
Width	15 mm
d	25 mm
D	52 mm
B	15 mm
C	15 mm
Angle (°)	40 °
a	8.9 mm
r min.	1 mm
r1 min.	0.6 mm
2B	30 mm
da min.	28 mm
Da max.	48.4 mm
ra max.	0.6 mm
Weight	0.135 Kg
Basic dynamic load rating (C)	24,8 kN
Basic static load rating (C0)	19,4 kN
(Grease) Lubrication Speed	8000 r/min
Bore Type	Cylindrical Bore
Enclosure	Open
Configuration	Duplex
Bore Size	25 mm
Outside Diameter	52 mm



KRS Guide Wheel Bearing Co., Ltd

Width	15 mm
Fillet Radius/Chamfer	1 mm
r1	0.6 mm
Dynamic Load Rating	24,800 N
Static Load Rating	19,400 N
Limiting Speed - Grease	8,000 rpm
Limiting Speed - Oil	11,000 rpm
da1 (min)	31 mm
da2 (min)	28 mm
Da1 (max)	46 mm
Da2 (max)	48.4 mm
ra (max)	1 mm
ra1 (max)	0.6 mm