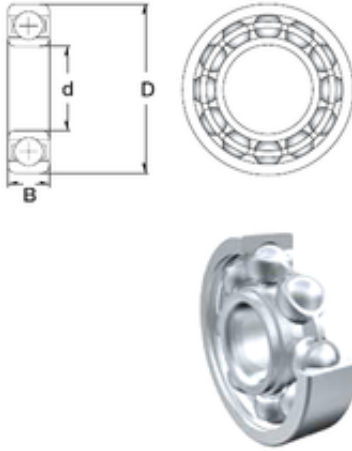




KRS Guide Wheel Bearing Co., Ltd



110 mm x 170 mm x 28 mm ZEN 6022 deep groove ball bearings

Bearing No. 6022

Size	110x170x28 mm
Bore Diameter	110 mm
Outer Diameter	170 mm
Width	28 mm
d	110 mm
D	170 mm
B	28 mm
C	28 mm
Weight	1,95 Kg
Basic dynamic load rating (C)	62,5 kN
Basic static load rating (C0)	56 kN

6022 Bearing 2D drawings and 3D CAD models