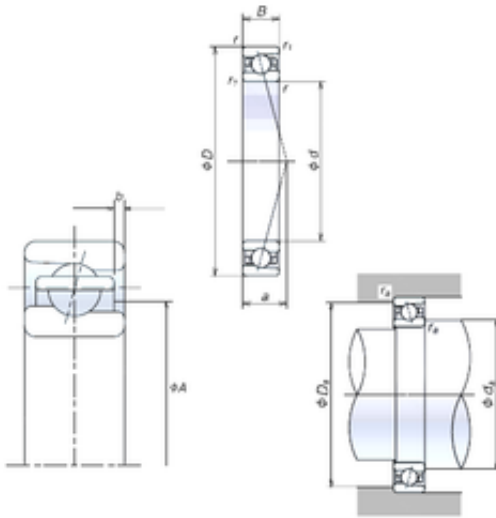




KRS Guide Wheel Bearing Co., Ltd

110 mm x 170 mm x 28 mm NSK 110BER10S
angular contact ball bearings



110BER10S Bearing 2D drawings and 3D CAD models

Bearing No. 110BER10S

Size	110x170x28 mm
Bore Diameter	110 mm
Outer Diameter	170 mm
Width	28 mm
d	110 mm
D	170 mm
B	28 mm
C	28 mm
Angle (°)	25 °
a	46,7 mm
b	1,7 mm
r min.	2 mm
r1 min.	1 mm
A	132,5 mm
da min.	120 mm
Da max.	160 mm
ra max.	2 mm
Weight	2,133 Kg
Basic dynamic load rating (C)	44 kN
Basic static load rating (C0)	45 kN
(Grease) Lubrication Speed	8600 r/min