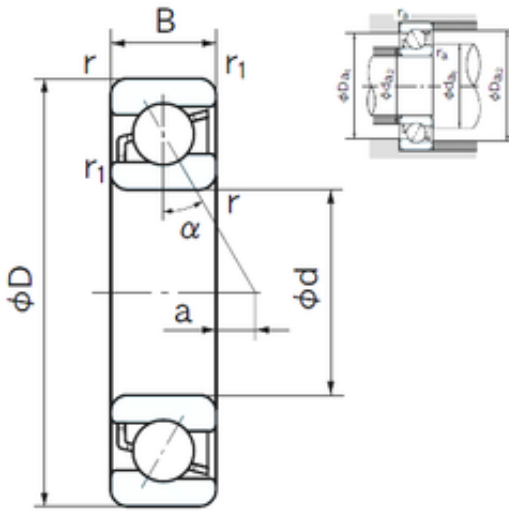




# KRS Guide Wheel Bearing Co., Ltd



110 mm x 170 mm x 28 mm NACHI 7022  
angular contact ball bearings

Bearing No. 7022

7022 Bearing 2D drawings and 3D CAD models

Size	110x170x28 mm
Bore Diameter	110 mm
Outer Diameter	170 mm
Width	28 mm
d	110 mm
D	170 mm
B	28 mm
C	28 mm
Angle ( ° )	30 °
a	26.2 mm
r min.	2 mm
r1 min.	1 mm
da min.	118 mm
Da max.	162 mm
ra max.	2 mm
Weight	2.14 Kg
Basic dynamic load rating (C)	92 kN
Basic static load rating (C0)	92,5 kN
(Grease) Lubrication Speed	3200 r/min
Configuration	Single Row
Enclosure	Open
Bore Type	Cylindrical Bore
Bore Size	110 mm
Outside Diameter	170 mm
Width	28 mm



## KRS Guide Wheel Bearing Co., Ltd

Fillet Radius/Chamfer	2 mm
r1	1 mm
Dynamic Load Rating	92,000 N
Static Load Rating	92,500 N
Limiting Speed - Grease	3,200 rpm
Limiting Speed - Oil	4,300 rpm
da1 (min)	118 mm
da2 (min)	118 mm
Da1 (max)	162 mm
Da2 (max)	165 mm
ra (max)	2 mm
ra1 (max)	1 mm